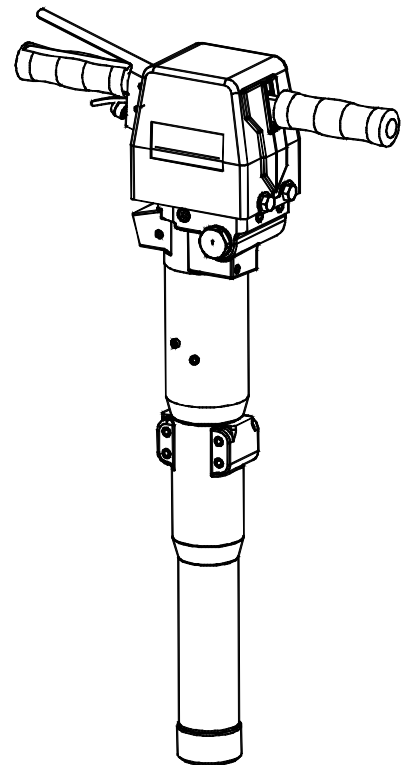


**LH 28 E SD**

# **HYDRAULIC SPIKE DRIVER**

Spare parts list



**Spare Parts List ATLAS COPCO LH 28 E SD Spike Driver**

Page 1 of 3

140 Pos.	30-04-2004 Part No.	Serial-No. 252000- Description	Quantity
<b>Fig 1</b>	<b>Impact assy</b>		
1	3371 8210 27	Accumulator body	1
2	3371 8210 73	Valve housing	1
3	3371 8210 29	Cylinder	1
4	3371 8211 16	Striking piston	1
5	3371 8140 66	Accumulator cover	1
6	3371 8140 52	Diaphragm	1
8	3371 8131 03	Charging screw	1
9	3371 8177 20	Screw M10x30	4
10	3371 8147 23	Screw M10x35	4
11	3371 8147 09	Seal ring ø8,7/ø13x1	1
12	3371 8202 65	Spool	1
15	3371 8202 66	Guide socket	1
16	3371 8202 67	Spool socket	1
17	3371 8137 10	Protective cap M24x1.5	1
18	3371 8207 02	O-Ring ø24x1.5	1
19	3371 8207 03	O-Ring ø18x2	4
20	3371 8207 04	O-Ring ø30x2	1
21	3371 8207 05	O-Ring ø32x2	1
22	3371 8207 62	O-Ring ø25.12x1.78	1
24	3371 8207 40	Locking ring	1
25	3371 8201 76	Seal ø32/ø40x6	1
26	3371 8207 08	Seal ø32/ø45x7/10	1
27	3371 8057 14	Seal ring 1/2"	2
28	3371 8057 11	Adaptor 08-08	2
29	3371 8147 32	Seeger spring ring	2
30	3371 8207 00	Shim PS 8x14x0.5	1
31	3371 8211 18	Trigger spool	1
32	3371 8201 36	Trigger rod	1
33	3371 8141 20	Packing gland	1
34	3371 8201 37	Spring	1
35	3371 8147 00	O-Ring ø8.3x2.4	1
36	3371 8147 02	O-Ring ø16.3x2.4	1
37	3371 8055 03	Seal ø8/ø14x3.5/5	1
38	3371 8147 01	Back-up ring	1
39	3371 8147 12	Seeger spring ring	1
40	3371 8147 33	Fitting 02 KRG	6

Subject to alterations without further notice

**Spare Parts List ATLAS COPCO LH 28 E SD Spike Driver**

140 Pos.	30-04-2004 Part No.	Serial-No. 252000- Description	Quantity
41	3371 8131 41	Fitting 04 KRG	3
42	3371 8137 09	Protective cap 1/2"	2
44	3371 8177 57	O-Ring ø6x2	1
45	3371 8077 37	Loctite 245 50 ml	
49	3376 1000 84	O-Ring ø8x2	1
50	3371 8157 35	Back-up washer	4
51	3371 8201 15	Screw	1
52	3371 8207 17	Ball f/check valve	1
53	3371 8207 18	Seal ring ø9/ø14x1	1
54	3371 8207 25	O-Ring ø82x1.5	1
55	3371 8207 26	O-Ring ø16x1.5	1
56	3371 8147 49	O-Ring ø13x1.5	1
58	3371 8201 67	Back-up washer ø32.7/45x2.5	1
59	3371 8207 27	Locking ring	1
60	3371 8200 89	Seal kit Incl. pos. 11/17-22/24-27/29-30/35-39/44/46/53-59	
61	3371 8210 10	Trigger valve complete Incl. pos. 29-39	
62	3371 8210 24	Accumulator complete Incl. pos. 1/5/6/8/11/17	
80	3371 8202 99	Nose part Spike Driver	1
81	3371 8137 13	Roll pin ø16x60	4
82	3371 8202 98	Anvil	1
83	3371 8203 00	Spring	1
84	3371 8203 01	Washer	1
85	3371 8210 74	Nose part complete Incl. pos. 80-84	

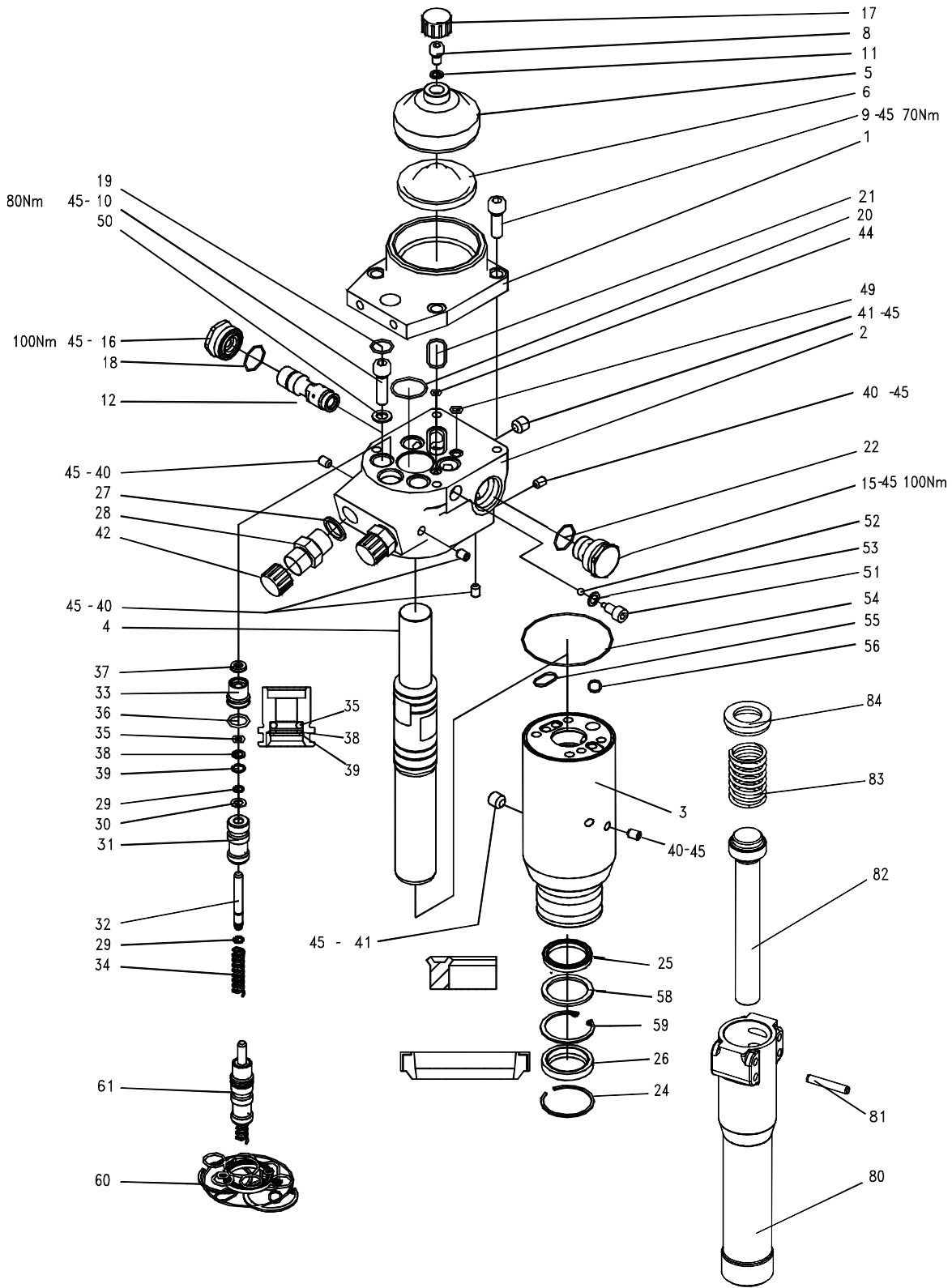
**Spare Parts List ATLAS COPCO LH 28 ESD Spike Driver**

140      30-04-2004      Serial-No. 252000-  
**Pos.      Part No.      Description      Quantity**

**Fig 2 E-handle**

		3371 8200 98	E-handle w/cover	
		3371 8210 50	E-handle w/o cover Incl. pos. 1-20/25/26	
1		3371 8203 15	Frame	1
2		3371 8203 14	Handle rod	1
3		3371 8203 06	Bottom plate	1
4		3371 8203 07	Spring guide	4
5		3371 8207 63	Roll pin ø6x12	2
6		3371 8203 08	Spring guide	4
7		3371 8203 09	Nylon guide	4
8		3377 0004 69	Washer ø8	4
9		3372 0050 03	Screw M8x16	4
10		3371 8201 47	Pin latch right	1
11		3371 8201 48	Pin latch left	1
12		3371 8201 31	Trigger pawl	1
13		3371 8207 11	Pin f/pawl ø6x30	1
14		3371 8203 13	Nylon guide	8
15		3371 8200 57	Trigger lever	1
16		3371 8207 12	Roll pin ø6x24	1
17		3371 8200 66	Thrust pad w/screw	1
19		3371 8207 22	Nut M8	1
20		3371 8207 35	Nut cap M8-HEX13 black	1
21		3371 8200 59	Top cover complete	1
22		3371 8157 22	Screw M10x20	4
23		3371 8151 31	Nab	2
24		3371 8151 13	Spacer f/handle	4
25		3371 8201 35	Rubber handle	1
26		3371 8201 34	Rubber handle	1

LH 28 E SD Spike Driver Fig. 1



LH 28 E SD Spike Driver Fig. 2

